



**MIAMI-DADE**  
**BUILDING CODE COMPLIANCE OFFICE (BCCO)**  
**PRODUCT CONTROL DIVISION**

**MIAMI-DADE COUNTY, FLORIDA**  
**METRO-DADE FLAGLER BUILDING**  
**140 WEST FLAGLER STREET, SUITE 1603**  
**MIAMI, FLORIDA 33130-1563**  
**(305) 375-2901 FAX (305) 375-2908**

**NOTICE OF ACCEPTANCE (NOA)**

**Monier Lifetile, LLC**  
**200 Story Road**  
**Lake Wales, FL 33898**

**SCOPE:**

This NOA is being issued under the applicable rules and regulations governing the use of construction materials. The documentation submitted has been reviewed by Miami-Dade County Product Control Division and accepted by the Board of Rules and Appeals (BORA) to be used in Miami Dade County and other areas where allowed by the Authority Having Jurisdiction (AHJ).

This NOA shall not be valid after the expiration date stated below. The Miami-Dade County Product Control Division (In Miami Dade County) and/or the AHJ (in areas other than Miami Dade County) reserve the right to have this product or material tested for quality assurance purposes. If this product or material fails to perform in the accepted manner, the manufacturer will incur the expense of such testing and the AHJ may immediately revoke, modify, or suspend the use of such product or material within their jurisdiction. BORA reserves the right to revoke this acceptance, if it is determined by Miami-Dade County Product Control Division that this product or material fails to meet the requirements of the applicable building code.

This product is approved as described herein, and has been designed to comply with the Florida Building Code including the High Velocity Hurricane Zone of the Florida Building Code.

**DESCRIPTION: Vanguard Roll Concrete Roof Tile**

**LABELING:** Each unit shall bear a permanent label with the manufacturer's name or logo, city, state and following statement: "Miami-Dade County Product Control Approved", unless otherwise noted herein.

**RENEWAL** of this NOA shall be considered after a renewal application has been filed and there has been no change in the applicable building code negatively affecting the performance of this product.

**TERMINATION** of this NOA will occur after the expiration date or if there has been a revision or change in the materials, use, and/or manufacture of the product or process. Misuse of this NOA as an endorsement of any product, for sales, advertising or any other purposes shall automatically terminate this NOA. Failure to comply with any section of this NOA shall be cause for termination and removal of NOA.

**ADVERTISEMENT:** The NOA number preceded by the words Miami-Dade County, Florida, and followed by the expiration date may be displayed in advertising literature. If any portion of the NOA is displayed, then it shall be done in its entirety.

**INSPECTION:** A copy of this entire NOA shall be provided to the user by the manufacturer or its distributors and shall be available for inspection at the job site at the request of the Building Official.

This NOA consists of pages 1 through 7.  
 The submitted documentation was reviewed by Alex Tigera.



**NOA No.: 07-1023.07**  
**Expiration Date: 12/16/12**  
**Approval Date: 12/20/07**  
**Page 1 of 7**

## ROOFING ASSEMBLY APPROVAL

**Category:** Roofing  
**Sub-Category:** Low Profile Roofing Tiles  
**Material:** Concrete

### 1. SCOPE

This renews a system using **Monier Lifetile Vanguard Roll Concrete Roof Tile**, as manufactured **Monier Lifetile LLC in Pompano Beach, FL.** and described in Section 2 of this Notice of Acceptance. For locations where the pressure requirements, as determined by applicable Building Code does not exceed the design pressure values obtained by calculations in compliance with RAS 127 using the values listed in section 4 herein. The attachment calculations shall be done as a moment based system.

### 2. PRODUCT DESCRIPTION

<u>Manufactured by Applicant</u>	<u>Dimensions</u>	<u>Test Specifications</u>	<u>Product Description</u>
Monier Lifetile LLC Vanguard Roll Tile	l = 16-1/2" w = 13" 1/2" thick	TAS 112	Low profile, interlocking, high pressure extruded concrete roof tile equipped with one nail hole and double roll ribs. For direct deck or battened nail-on, mortar or adhesive set applications.
Trim Pieces	l = varies w = varies varying thickness	TAS 112	Accessory trim, concrete roof pieces for use at hips, rakes, ridges and valley terminations. Manufactured for each tile profile.

#### 2.1 SUBMITTED EVIDENCE:

<u>Test Agency</u>	<u>Test Identifier</u>	<u>Test Name/Report</u>	<u>Date</u>
Redland Technologies	7161-03 Appendix III	Static Uplift Testing PA 102 & PA 102(A)	Dec. 1991
Redland Technologies	7161-03 Appendix II	Wind Tunnel Testing PA 108 (Nail-On)	Dec. 1991
Redland Technologies	P0402	Withdrawal Resistance Testing of screw vs. smooth shank nails	Sept. 1993
The Center for Applied Engineering, Inc.	94-060B	Static Uplift Testing PA 101 (Adhesive Set)	March, 1994
The Center for Applied Engineering, Inc.	94-084	Static Uplift Testing PA 101 (Mortar Set)	May 1994
Redland Technologies	P0631-01	Wind Tunnel Testing PA 108 (Mortar Set)	July 1994



NOA No.: 07-1023.07  
 Expiration Date: 12/16/12  
 Approval Date: 12/20/07  
 Page 2 of 7

<u>Test Agency</u>	<u>Test Identifier</u>	<u>Test Name/Report</u>	<u>Date</u>
Redland Technologies	Letter Dated Aug. 1, 1994	Wind Tunnel Testing PA 108 (Nail-On)	Aug. 1994
The Center for Applied Engineering, Inc.	Project No. 307025 Test #MDC-76□	Wind Driven Rain PA 100	Oct. 1994
The Center for Applied Engineering, Inc.	25-7183-1	Static Uplift Testing PA 102 (2 Quik-Drive Screws, Direct Deck)	Feb. 1995
The Center for Applied Engineering, Inc.	25-7183-2	Static Uplift Testing PA 102 (2 Quik-Drive Screws, Battens)	Feb. 1995
The Center for Applied Engineering, Inc.	25-7214-2 25-7214-6	Static Uplift Testing PA 102 (1 Quik-Drive Screw, Direct Deck) (1 Quik-Drive Screw, Battens)	March, 1995
Celotex Corporation Testing Services	528454-2-1 520109-2	Static Uplift Testing PA 101	Sep. 1998 Dec. 1998
Walker Engineering, Inc.	Calculations	Aerodynamic Multiplier	August 2007
Walker Engineering, Inc.	Evaluation Calculations	25-7183	March 1995
Walker Engineering, Inc.	Evaluation Calculations	25-7094	February 1996
Walker Engineering, Inc.	Evaluation Calculations	25-7496	April 1996
Walker Engineering, Inc.	Evaluation Calculations	25-7584 25-7804b-8 25-7804-4 & 5 25-7848-6	December 1996
Walker Engineering, Inc.	Evaluation Calculations	Aerodynamic Multipliers	October 2007
Walker Engineering, Inc. Nutting Engineering	Evaluation Calculations TAS-112	Two Patty Adhesive Set System 13343.1	April 1999 June 2007



### 3. LIMITATIONS

- 3.1 Fire classification is not part of this acceptance.
- 3.2 For mortar or adhesive set tile applications, a static field uplift test shall be performed in accordance with RAS 106.
- 3.3 Applicant shall retain the services of a Miami-Dade County Certified Laboratory to perform quarterly test in accordance with TAS 112, appendix 'A'. Such testing shall be submitted to the Building Code Compliance Office for review.
- 3.4 Minimum underlayment shall be in compliance with the applicable Roofing Applications Standards listed section 4.1 herein.
- 3.5 30/90 hot mopped underlayment applications may be installed perpendicular to the roof slope unless stated otherwise by the underlayment material manufacturers published literature.
- 3.6 This acceptance is for wood deck applications. Minimum deck requirements shall be in compliance with applicable building code.

### 4. INSTALLATION

- 4.1 Monier Lifetile Vanguard Roll Concrete Roof Tile and its components shall be installed in strict compliance with Roofing Application Standard RAS 118, RAS 119, and RAS 120.
- 4.2 Data For Attachment Calculations

Table 1: Average Weight (W) and Dimensions (l x w )			
Tile Profile	Weight-W (lbf)	Length-l (ft)	Width-w (ft)
Monier Lifetile Vanguard Roll Tile	9.2	1.38	1.08

Table 2: Aerodynamic Multipliers - $\lambda$ (ft <sup>3</sup> )		
Tile Profile	$\lambda$ (ft <sup>3</sup> ) Batten Application	$\lambda$ (ft <sup>3</sup> ) Direct Deck Application
Monier Lifetile Vanguard Roll Tile	0.266	0.289

Table 3: Restoring Moments due to Gravity - $M_g$ (ft-lbf)												
Tile Profile	2":12"		3":12"		4":12"		5":12"		6":12"		7":12" or greater	
	Battens	Direct Deck	Battens	Direct Deck	Battens	Direct Deck	Battens	Direct Deck	Battens	Direct Deck	Battens	Direct Deck
Monier Lifetile Vanguard Roll Tile	5.30	6.03	5.24	5.97	5.16	5.87	5.05	5.75	4.92	5.60	4.78	5.44



<b>Table 4: Attachment Resistance Expressed as a Moment - <math>M_r</math> (ft-lbf) for Nail-On Systems</b>				
<b>Tile Profile</b>	<b>Fastener Type</b>	<b>Direct Deck (min 15/32" plywood)</b>	<b>Direct Deck (min. 19/32" plywood)</b>	<b>Battens</b>
Monier Lifetile Vanguard Roll Tile	2-10d Ring Shank Nails	27.8	37.4	28.8
	1-10d Smooth or Screw Shank Nail	8.8	11.8	4.1
	2-10d Smooth or Screw Shank Nails	16.4	21.9	7.1
	1 #8 Screw	25.8	25.8	22.9
	2 #8 Screw	47.1	47.1	49.1
	1-10d Smooth or Screw Shank Nail (Field Clip)	24.3	24.3	24.2
	1-10d Smooth or Screw Shank Nail (Eave Clip)	19.0	19.0	22.1
	2-10d Smooth or Screw Shank Nails (Field Clip)	35.5	35.5	34.8
	2-10d Smooth or Screw Shank Nails (Eave Clip)	31.9	31.9	32.2

<b>Table 6: Attachment Resistance Expressed as a Moment <math>M_r</math> (ft-lbf) for Two Patty Adhesive Set Systems</b>		
<b>Tile Profile</b>	<b>Tile Application</b>	<b>Minimum Attachment Resistance</b>
Monier Lifetile Vanguard Roll Tile	Adhesive <sup>2</sup>	26.1 <sup>3</sup>
1 See manufactures component approval for installation requirements.		
2 Flexible Products Company TileBond Average weight per patty 11.4 grams. Polyfoam Product, Inc. Average weight per patty 8 grams.		

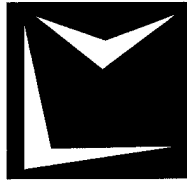
<b>Table 7: Attachment Resistance Expressed as a Moment - <math>M_r</math> (ft-lbf) for Single Patty Adhesive Set Systems</b>		
<b>Tile Profile</b>	<b>Tile Application</b>	<b>Minimum Attachment Resistance</b>
Monier Lifetile Vanguard Roll Tile	Polyfoam PolyPro™	86.61 <sup>4</sup>
	Polyfoam PolyPro™	45.5 <sup>5</sup>
3 Large paddy placement of 54grams of PolyPro™.		
5 Medium paddy placement of 24grams of PolyPro™.		



<b>Table 8: Attachment Resistance Expressed as a Moment - <math>M_r</math> (ft-lbf) for Mortar Set Systems</b>		
<b>Tile Profile</b>	<b>Tile Application</b>	<b>Attachment Resistance</b>
Monier Lifetile Vanguard Roll Tile	Mortar Set <sup>1</sup>	20.60

**5. LABELING**

All tiles shall bear the imprint or identifiable marking of the manufacturer's name or logo as shown below, or following statement: "Miami-Dade County Product Control Approved".



VANGUARD ROLL

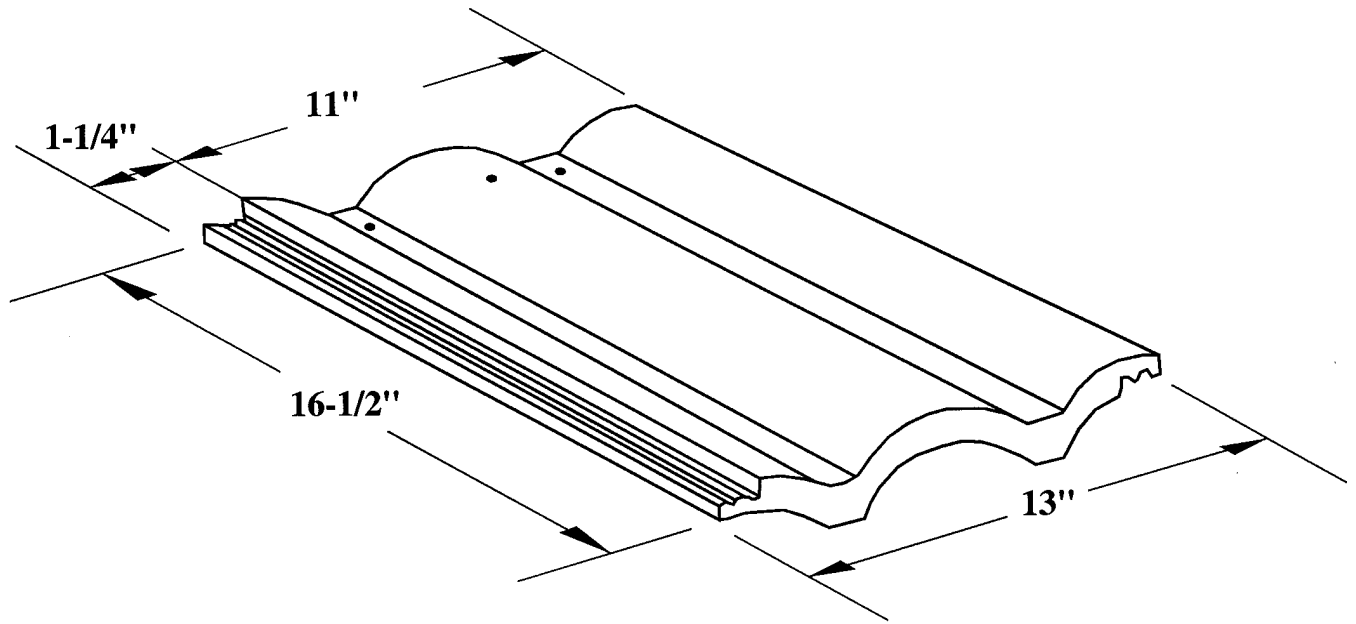
**MONIERLIFETILE LLC, VANGUARD ROLL TILE IDENTIFICATION MARK  
(POMPANO, FL PLANT)  
LOCATED UNDERNEATH TILE**

**6. BUILDING PERMIT REQUIREMENTS**

- 6.1 Application for building permit shall be accompanied by copies of the following:
  - 6.1.1 This Notice of Acceptance.
  - 6.1.2 Any other documents required by the Building Official or applicable building code in order to properly evaluate the installation of this system.



**PROFILE DRAWING**



**MONIER LIFETILE VANGUARD ROLL CONCRETE ROOF TILE**

**END OF THIS ACCEPTANCE**



NOA No.: 07-1023.07  
Expiration Date: 12/16/12  
Approval Date: 12/20/07  
Page 7 of 7