



**BUILDING CODE COMPLIANCE OFFICE (BCCO)
PRODUCT CONTROL DIVISION**

**MIAMI-DADE COUNTY, FLORIDA
METRO-DADE FLAGLER BUILDING
140 WEST FLAGLER STREET, SUITE 1603
MIAMI, FLORIDA 33130-1563
(305) 375-2901 FAX (305) 375-2908**

NOTICE OF ACCEPTANCE (NOA)

**Monier Lifetile, LLC
200 Story Road
Lake Wales, FL 33898**

SCOPE:

This NOA is being issued under the applicable rules and regulations governing the use of construction materials. The documentation submitted has been reviewed by Miami-Dade County Product Control Division and accepted by the Board of Rules and Appeals (BORA) to be used in Miami Dade County and other areas where allowed by the Authority Having Jurisdiction (AHJ).

This NOA shall not be valid after the expiration date stated below. The Miami-Dade County Product Control Division (In Miami Dade County) and/or the AHJ (in areas other than Miami Dade County) reserve the right to have this product or material tested for quality assurance purposes. If this product or material fails to perform in the accepted manner, the manufacturer will incur the expense of such testing and the AHJ may immediately revoke, modify, or suspend the use of such product or material within their jurisdiction. BORA reserves the right to revoke this acceptance, if it is determined by Miami-Dade County Product Control Division that this product or material fails to meet the requirements of the applicable building code.

This product is approved as described herein, and has been designed to comply with the Florida Building Code including the High Velocity Hurricane Zone of the Florida Building Code.

DESCRIPTION: Atlantis Shake & Slate Concrete Roof Tile

LABELING: Each unit shall bear a permanent label with the manufacturer's name or logo, city, state and following statement: "Miami-Dade County Product Control Approved", unless otherwise noted herein.

RENEWAL of this NOA shall be considered after a renewal application has been filed and there has been no change in the applicable building code negatively affecting the performance of this product.

TERMINATION of this NOA will occur after the expiration date or if there has been a revision or change in the materials, use, and/or manufacture of the product or process. Misuse of this NOA as an endorsement of any product, for sales, advertising or any other purposes shall automatically terminate this NOA. Failure to comply with any section of this NOA shall be cause for termination and removal of NOA.

ADVERTISEMENT: The NOA number preceded by the words Miami-Dade County, Florida, and followed by the expiration date may be displayed in advertising literature. If any portion of the NOA is displayed, then it shall be done in its entirety.

INSPECTION: A copy of this entire NOA shall be provided to the user by the manufacturer or its distributors and shall be available for inspection at the job site at the request of the Building Official.

This renews NOA #02-1211.08 and consists of pages 1 through 7.
The submitted documentation was reviewed by Alex Tigera.



**NOA No.: 07-1023.12
Expiration Date: 12/16/12
Approval Date: 12/13/07
Page 1 of 7**

ROOFING ASSEMBLY APPROVAL

Category: Roofing
Sub-Category: Flat Profile Roofing Tiles
Material: Concrete

1. SCOPE

This renews a system using Monier Lifetile Atlantis Shake & Slate Concrete Roof Tile, as manufactured Monier Lifetile LLC in Boca Raton, FL and described in Section 2 of this Notice of Acceptance. For locations where the pressure requirements, as determined by applicable Building Code does not exceed the design pressure values obtained by calculations in compliance with RAS 127 using the values listed in section 4 herein. The attachment calculations shall be done as a moment based system.

2. PRODUCT DESCRIPTION

<u>Manufactured by Applicant</u>	<u>Dimensions</u>	<u>Test Specifications</u>	<u>Product Description</u>
Monier Lifetile Atlantis Shake and Slate Tile	l = 16" w = 10" 1 ¼" thick	TAS 112	Flat, interlocking, high pressure extruded concrete shake and slate roof tile equipped with two nail holes. For direct deck, mortar or adhesive set applications.
Trim Pieces	l = varies w = varies varying thickness	TAS 112	Accessory trim, concrete roof pieces for use at hips, rakes, ridges and valley terminations. Manufactured for each tile profile.

2.1 SUBMITTED EVIDENCE:

<u>Test Agency</u>	<u>Test Identifier</u>	<u>Test Name/Report</u>	<u>Date</u>
Redland Technologies	7161-03 Appendix III	Static Uplift Testing PA 102 & PA 102(A)	Dec. 1991
The Center for Applied Engineering, Inc.	94-060A 94-084	Static Uplift Testing PA 101 (Mortar Set) (Adhesive Set)	March, 1994 May 1994
The Center for Applied Engineering, Inc.	25-7094-2	Static Uplift Testing PA 102 (4" Headlap, Nails, Direct Deck, New Construction)	Oct. 1994
The Center for Applied Engineering, Inc.	25-7094-8	Static Uplift Testing PA 102 (4" Headlap, Nails, Battens)	Oct. 1994
The Center for Applied Engineering, Inc.	25-7094-5	Static Uplift Testing PA 102 (4" Headlap, Nails, Direct Deck, Recover/Reroof)	Oct. 1994



NOA No.: 07-1023.12
 Expiration Date: 12/16/12
 Approval Date: 12/13/07
 Page 2 of 7

<u>Test Agency</u>	<u>Test Identifier</u>	<u>Test Name/Report</u>	<u>Date</u>
The Center for Applied Engineering, Inc.	25-7183-6	Static Uplift Testing PA 102 (2 Quik-Drive Screws, Direct Deck)	Feb. 1995
The Center for Applied Engineering, Inc.	25-7183-5	Static Uplift Testing PA 102 (2 Quik-Drive Screws, Battens)	Feb. 1995
The Center for Applied Engineering, Inc.	25-7214-1	Static Uplift Testing PA 102 (1 Quik-Drive Screw, Direct Deck)	March, 1995
The Center for Applied Engineering, Inc.	25-7214-5	Static Uplift Testing PA 102 (1 Quik-Drive Screw, Battens)	March, 1995
Redland Technologies	7161-03 Appendix II	Wind Tunnel Testing PA 108 (Nail-On)	Dec. 1991
Redland Technologies	Letter Dated Aug. 1, 1994	Wind Tunnel Testing PA 108 (Nail-On)	Aug. 1994
Redland Technologies	P0631-01	Wind Tunnel Testing PA 108 (Mortar Set)	July 1994
Redland Technologies	P0402	Withdrawal Resistance Testing of screw vs. smooth shank nails	Sept. 1993
The Center for Applied Engineering, Inc.	Project No. 307025	Wind Driven Rain PA 100	Oct. 1994
Professional Service Industries, Inc.	Test #MDC-77 224-47099	Physical Properties PA 112	Sept. 1994
Celotex Corporation Testing Service	520109-1 520111-4 520191-1	Static Uplift Testing PA 101	Dec. 1998 March 1999
Walker Engineering, Inc.	Calculations	Aerodynamic Multiplier	October 2007
Walker Engineering, Inc.	Calculations	Moment of Gravity	August 2007
Walker Engineering, Inc.	Calculations	25-7094	February 1996
Walker Engineering, Inc.	Calculations	25-7496	April 1996
Walker Engineering, Inc.	Calculations	25-7584 25-7804b-8 25-7804-4 & 5 25-7848-6	December 1996
Walker Engineering, Inc.	Calculations	25-7183	March 1995
Walker Engineering, Inc.	Calculations	Aerodynamic Multipliers	April 1999
Walker Engineering, Inc.	Calculations	Two Patty Adhesive Set System	April 1999
Nutting Engineerins	TAS-112	13343.1	June 2007



3. LIMITATIONS

- 3.1 Fire classification is not part of this acceptance.
- 3.2 For mortar or adhesive set tile applications, a static field uplift test shall be performed in accordance with RAS 106.
- 3.3 Applicant shall retain the services of a Miami-Dade County Certified Laboratory to perform quarterly test in accordance with TAS 112, appendix 'A'. Such testing shall be submitted to the Building Code Compliance Office for review.
- 3.4 Minimum underlayment shall be in compliance with the applicable Roofing Applications Standards listed section 4.1 herein.
- 3.5 30/90 hot mopped underlayment applications may be installed perpendicular to the roof slope unless stated otherwise by the underlayment material manufacturers published literature.
- 3.6 This acceptance is for wood deck applications. Minimum deck requirements shall be in compliance with applicable building code.
- 3.7 May be installed on slopes 7:12 and greater with a minimum of two screws.

4. INSTALLATION

- 4.1 Monier Lifetile Atlantis Shake and Slate Concrete Roof Tile and its components shall be installed in strict compliance with Roofing Application Standard RAS 118, RAS 119, and RAS 120.
- 4.2 Data For Attachment Calculations

Table 1: Average Weight (W) and Dimensions (l x w)			
Tile Profile	Weight-W (lbf)	Length-l (ft)	Width-w (ft)
Monier Lifetile Atlantis Shake & Slate Tile	8.5	1.33	0.833

Table 2: Aerodynamic Multipliers - λ (ft ³)		
Tile Profile	λ (ft ³) Batten Application	λ (ft ³) Direct Deck Application
Monier Lifetile Atlantis Shake & Slate Tile	N/A	0.208

Table 3: Restoring Moments due to Gravity - M_g (ft-lbf)												
Tile Profile	2":12"		3":12"		4":12"		5":12"		6":12"		7":12" or greater	
	Battens	Direct Deck	Battens	Direct Deck	Battens	Direct Deck	Battens	Direct Deck	Battens	Direct Deck	Battens	Direct Deck
Monier Lifetile Atlantis Shake & Slate Tile	N/A	6.17	N/A	6.11	N/A	6.01	N/A	5.89	N/A	5.75	N/A	5.59



Table 4: Attachment Resistance Expressed as a Moment - M_f (ft-lbf) for Nail-On Systems				
Tile Profile	Fastener Type	Direct Deck (min 15/32" plywood)	Direct Deck (min. 19/32" plywood)	Battens
Monier Lifetile Atlantis Shake & Slate Tile	2-10d Ring Shank Nails	30.9	38.1	N/A
	1-10d Smooth or Screw Shank Nail	7.3	9.8	N/A
	2-10d Smooth or Screw Shank Nails	14.0	18.8	N/A
	1 #8 Screw	30.8	30.8	N/A
	2 #8 Screw	51.7	51.7	N/A
	1-10d Smooth or Screw Shank Nail (Field Clip)	24.3	24.3	N/A
	1-10d Smooth or Screw Shank Nail (Eave Clip)	19.0	19.0	N/A
	2-10d Smooth or Screw Shank Nails (Field Clip)	35.5	35.5	N/A
	2-10d Smooth or Screw Shank Nails (Eave Clip)	31.9	31.9	N/A

Table 5: Attachment Resistance Expressed as a Moment M_f (ft-lbf) for Two Patty Adhesive Set Systems		
Tile Profile	Tile Application	Minimum Attachment Resistance
Monier Lifetile Atlantis Shake & Slate Tile	Adhesive	31.3 ³
1 See manufactures component approval for installation requirements.		
2 Flexible Products Company TileBond Average weight per patty 13.9 grams. Polyfoam Product, Inc. Average weight per patty 8 grams.		

Table 5A: Attachment Resistance Expressed as a Moment - M_f (ft-lbf) for Single Patty Adhesive Set Systems		
Tile Profile	Tile Application	Minimum Attachment Resistance
Monier Lifetile Atlantis Shake & Slate Tile	PolyPro™	118.9 ⁴
	PolyPro™	40.4 ⁵
3 Large paddy placement of 45 grams of PolyPro™.		
4 Medium paddy placement of 24 grams of PolyPro™.		

Table 5B: Attachment Resistance Expressed as a Moment - M_f (ft-lbf) for Mortar or Adhesive Set Systems		
Tile Profile	Tile Application	Attachment Resistance
Monier Lifetile Atlantis Shake & Slate Tile	Mortar Set ⁶	39.0



5. LABELING

All tiles shall bear the imprint or identifiable marking of the manufacturer's name or logo, or following statement: "Miami-Dade County Product Control Approved".



**MONIER LIFETILE LLC, ATLANTIS SHAKE AND SLATE (BOCA RATON, FL PLANT)
LOCATED UNDERNEATH TILE**

6. BUILDING PERMIT REQUIREMENTS

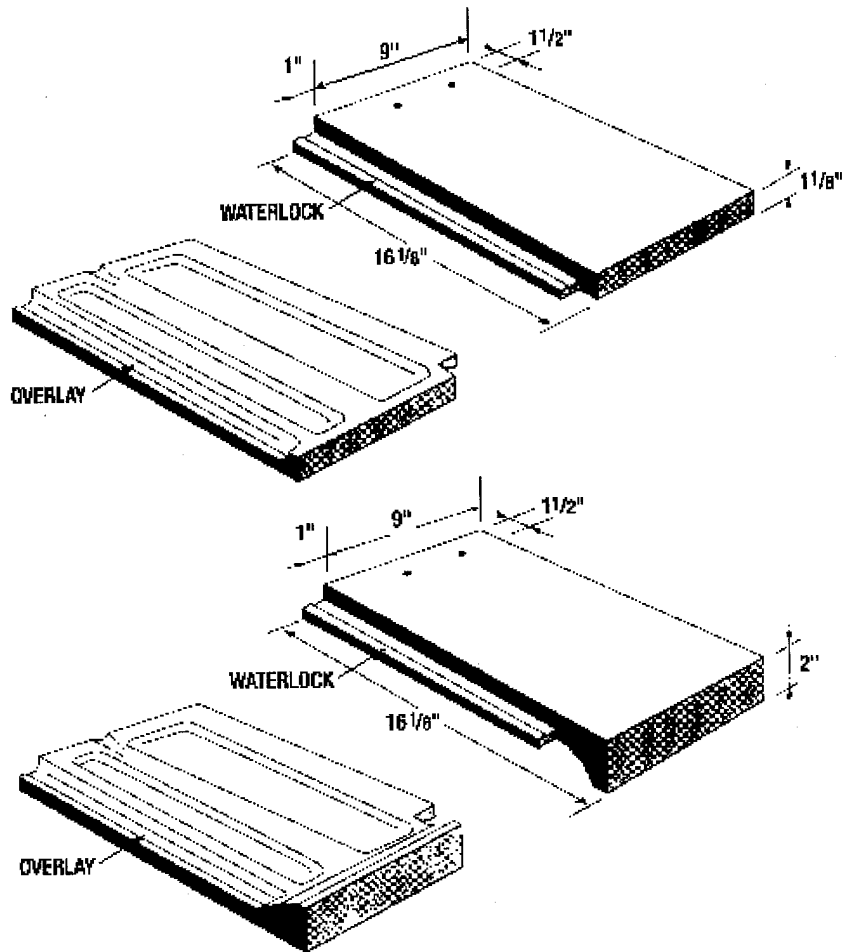
6.1 Application for building permit shall be accompanied by copies of the following:

6.1.1 This Notice of Acceptance.

6.1.2 Any other documents required by the Building Official or applicable building code in order to properly evaluate the installation of this system.



PROFILE DRAWINGS



MONIER LIFETILE ATLANTIS SHAKE & SLATE CONCRETE ROOF TILE

END OF THIS ACCEPTANCE



NOA No.: 07-1023.12
Expiration Date: 12/16/12
Approval Date: 12/13/07
Page 7 of 7