



BUILDING CODE COMPLIANCE OFFICE (BCCO)
 PRODUCT CONTROL DIVISION

MIAMI-DADE COUNTY, FLORIDA
 METRO-DADE FLAGLER BUILDING
 140 WEST FLAGLER STREET, SUITE 1603
 MIAMI, FLORIDA 33130-1563
 (305) 375-2901 FAX (305) 375-2908

NOTICE OF ACCEPTANCE (NOA)

Hanson Roof Tile
 1340 SW 34th Ave
 Deerfield Beach, FL 33442

SCOPE:

This NOA is being issued under the applicable rules and regulations governing the use of construction materials. The documentation submitted has been reviewed by Miami-Dade County Product Control Division and accepted by the Board of Rules and Appeals (BORA) to be used in Miami Dade County and other areas where allowed by the Authority Having Jurisdiction (AHJ).

This NOA shall not be valid after the expiration date stated below. The Miami-Dade County Product Control Division (In Miami Dade County) and/or the AHJ (in areas other than Miami Dade County) reserve the right to have this product or material tested for quality assurance purposes. If this product or material fails to perform in the accepted manner, the manufacturer will incur the expense of such testing and the AHJ may immediately revoke, modify, or suspend the use of such product or material within their jurisdiction. BORA reserves the right to revoke this acceptance, if it is determined by Miami-Dade County Product Control Division that this product or material fails to meet the requirements of the applicable building code.

This product is approved as described herein, and has been designed to comply with the Florida Building Code including the High Velocity Hurricane Zone of the Florida Building Code.

DESCRIPTION: Hanson Hacienda Double Roll Roof Tile

LABELING: Each unit shall bear a permanent label with the manufacturer's name or logo, city, state and following statement: "Miami-Dade County Product Control Approved". unless otherwise noted herein

RENEWAL of this NOA shall be considered after a renewal application has been filed and there has been no change in the applicable building code negatively affecting the performance of this product.

TERMINATION of this NOA will occur after the expiration date or if there has been a revision or change in the materials, use, and/or manufacture of the product or process. Misuse of this NOA as an endorsement of any product, for sales, advertising or any other purposes shall automatically terminate this NOA. Failure to comply with any section of this NOA shall be cause for termination and removal of NOA.

ADVERTISEMENT: The NOA number preceded by the words Miami-Dade County, Florida, and followed by the expiration date may be displayed in advertising literature. If any portion of the NOA is displayed, then it shall be done in its entirety.

INSPECTION: A copy of this entire NOA shall be provided to the user by the manufacturer or its distributors and shall be available for inspection at the job site at the request of the Building Official.

This NOA consists of pages 1 through 7.

The submitted documentation was reviewed by Jorge L. Acebo.



NOA No.: 07-0914.06
 Expiration Date: 12/16/12
 Approval Date: 12/06/07
 Page 1 of 7

ROOFING ASSEMBLY APPROVAL

Category: Roofing
 Sub Category: Roofing Tile
 Material: Concrete

1. SCOPE

This renews a roofing system using **Hanson Hacienda Roof Tile**, as manufactured by Hanson Roof Tile in *Hobe Sound, Florida* and as described in Section 2 of this Notice of Acceptance. For the locations where the pressure requirements, do not exceed the values listed in section 4 herein. The attachment calculations shall be done as a moment based system.

2. PRODUCT DESCRIPTION

<u>Manufactured by Applicant</u>	<u>Dimensions</u>	<u>Test Specifications</u>	<u>Product Description</u>
Hanson "Hacienda"	Length: 17¼" Width: 13" ½" thick	TAS 112	Low profile, interlocking, extruded concrete roof tile equipped with two nail hole and double roll ribs. For direct deck or battened nail-on, mortar or adhesive set applications.
Trim Pieces	Length: varies Width: varies Varying thickness	TAS 112	Accessory trim, concrete roof pieces for use at hips, rakes, ridges and valley terminations. Manufactured for each tile profile.

2.1 COMPONENTS OR PRODUCTS MANUFACTURED BY OTHERS

<u>Product</u>	<u>Dimensions</u>	<u>Test Specifications</u>	<u>Product Description</u>	<u>Manufacturer</u>
Wood Battens	<u>Vertical</u> Min. 1"x 4" <u>Horizontal</u> Min. 1"x 4" for use with vertical battens or Min. 1"x 2" for use alone	Wood Preservers Institute LP – 2	Salt pressure treated or decay resistant lumber battens	Generic (With current NOA)
Tile Nails	Min. 10dx 3"	TAS114 Appendix E	Corrosion resistant screw or smooth shank nails	Generic (With current NOA)



NOA No.: 07-0914.06
 Expiration Date: 12/16/12
 Approval Date: 12/06/07
 Page 2 of 7

<u>Product</u>	<u>Dimensions</u>	<u>Test Specifications</u>	<u>Product Description</u>	<u>Manufacturer</u>
Tile Screws	#8x 2 1/2" long 0.335" head dia. 0.131" shank dia. 0.175" screw thread dia.	TAS 114 Appendix E	Corrosion resistant, coated, square drive, galvanized, coarse thread wood screws	Generic (With current NOA)
Hurricane Clip & Fasteners	Clips Min. 1/2" width Min. 0.060" thick Clip Fasteners Min. 8d x 1 1/4"	TAS 114 Appendix E	Corrosion resistant clips with corrosion resistant nails.	Generic (With current NOA)

2.2 EVIDENCE SUBMITTED

<u>Test Agency</u>	<u>Test Identifier</u>	<u>Test Name/Report</u>	<u>Date</u>
Redland Technologies	7161-03	PA 102	Dec. 1991
	7161-03	PA 102(A)	Dec. 1991
	7161-03	PA 108	Dec. 1991
	P0402	Withdrawal Resistance Testing of screw vs. smooth shank nails	Sept. 1993
	P0631-01	PA 108	July 1994
	Letter Dated Aug. 1, 1994	PA 108	Aug. 1994
Professional Service Industries, Inc.	224-47099	PA 112	Sept. 1994
The Center for Applied Engineering, Inc.	94-060B	PA 101	March, 1994
	94-084	PA 101	May 1994
	25-7094-1	PA 102	Oct. 1994
	25-7094-7	PA 102	Oct. 1994
	25-7094-4	PA 102	Oct. 1994
	Project No. 307025	PA 100	Oct. 1994
	Test #MDC-76		
	25-7183-1	PA 102	Feb. 1995
25-7183-2	PA 102	Feb. 1995	
25-7214-2	PA 102	March, 1995	
25-7214-6	PA 102	March, 1995	
Celotex Corporation Testing Services	528454-2-1	PA 101	Sep. 1998
	520109-2		Dec. 1998
Walker Engineering, Inc.	Calculations	Aerodynamic Multiplier	March 1999
IBA Consultants, Inc.	2381-249	TAS 112	09/20/07



NOA No.: 07-0914.06
Expiration Date: 12/16/12
Approval Date: 12/06/07
Page 3 of 7

3. LIMITATIONS

- 3.1 Fire classification is not part of this acceptance.
- 3.2 For mortar or adhesive set tile applications, a static field uplift test in accordance with RAS 106 may be required, refer to applicable building code.
- 3.3 Applicant shall retain the services of a Miami-Dade County Certified Laboratory to perform quarterly test in accordance with TAS 112, appendix 'A'. Such testing shall be submitted to the Building Code Compliance Office for review.
- 3.4 Minimum underlayment shall be in compliance with the applicable Roofing Applications Standards listed section 4.1 herein.
- 3.5 30/90 hot mopped underlayment applications may be installed perpendicular to the roof slope unless stated otherwise by the underlayment material manufacturers published literature.
- 3.6 This acceptance is for wood deck applications. Minimum deck requirements shall be in compliance with applicable building code.

4. INSTALLATION

- 4.1 Hanson 'Hacienda' Roof Tile and its components shall be installed in strict compliance with Roofing Application Standard RAS 118, 119, & 120.
- 4.2 Data For Attachment Calculations

Table 1: Aerodynamic Multipliers - λ (ft ³)		
Tile Profile	λ (ft ³) Batten Application	λ (ft ³) Direct Deck Application
Hacienda Tile	0.267	0.289

Table 2: Restoring Moments due to Gravity - M_g (ft-lbf)										
Tile Profile	3": 12"		4": 12"		5": 12"		6": 12"		7": 12" or greater	
	Battens	Direct Deck	Battens	Direct Deck	Battens	Direct Deck	Battens	Direct Deck	Battens	Direct Deck
Hanson Hacienda Tile	5.92	6.80	5.82	6.69	5.70	6.55	5.56	6.39	5.41	6.22



Table 3: Attachment Resistance Expressed as a Moment - M_t (ft-lbf) For Nail-On Systems				
Tile Profile	Fastener Type	Direct Deck (Min 15/32" plywood)	Direct Deck (Min. 19/32" plywood)	Battens
Hanson Hacienda Tile	2-10d Ring Shank Nails	27.8	37.4	28.8
	1-10d Smooth or Screw Shank Nail	8.8	11.8	4.1
	2-10d Smooth or Screw Shank Nails	16.4	21.9	7.1
	1 #8 Screw	25.8	25.8	22.9
	2 #8 Screw	47.1	47.1	49.1
	1-10d Smooth or Screw Shank Nail (Field Clip)	24.3	24.3	24.2
	1-10d Smooth or Screw Shank Nail (Eave Clip)	19.0	19.0	22.1
	2-10d Smooth or Screw Shank Nails (Field Clip)	35.5	35.5	34.8
	2-10d Smooth or Screw Shank Nails (Eave Clip)	31.9	31.9	32.2
	2-10d Ring Shank Nails ¹	43.0	67.5	50.9

1 Installation with a 4" tile headlap and fasteners are located a min. of 2½" from head of tile.

Table 4: Attachment Resistance Expressed as a Moment M_t (ft-lbf) For Two Patty Adhesive Set Systems		
Tile Profile	Tile Application	Minimum Attachment Resistance
Hanson Hacienda Tile	Adhesive	26.1 ³

2 See manufactures component approval for installation requirements.
3 Flexible Products Company TileBond Average weight per patty 11.4 grams.
Polyfoam Product, Inc. Average weight per patty 8 grams.



Table 4A: Attachment Resistance Expressed as a Moment - M_r (ft-lbf) For Single Paddy Adhesive Set Systems		
Tile Profile	Tile Application	Minimum Attachment Resistance
Hanson Hacienda Tile	Polyfoam PolyPro™	86.61 ⁴
	Polyfoam PolyPro™	45.5 ⁵
4 Large paddy placement of 54grams of PolyPro™.		
5 Medium paddy placement of 24grams of PolyPro™.		

Table 4B: Attachment Resistance Expressed as a Moment - M_r (ft-lbf) For Mortar Set Systems		
Tile Profile	Tile Application	Attachment Resistance
Hanson Hacienda Tile	Mortar Set ¹	20.60

5. LABELING

All tiles shall bear the imprint or identifiable marking of the manufacturer's name or logo (See Detail Below), or following statement: "Miami-Dade County Product Control Approved".

Hanson

HANSON HACIENDA ROOF TILE
TILE IDENTIFICATION MARK (LOCATED ON UNDERSIDE OF TILE)

6. BUILDING PERMIT REQUIREMENTS

6.1 Application for building permit shall be accompanied by copies of the following:

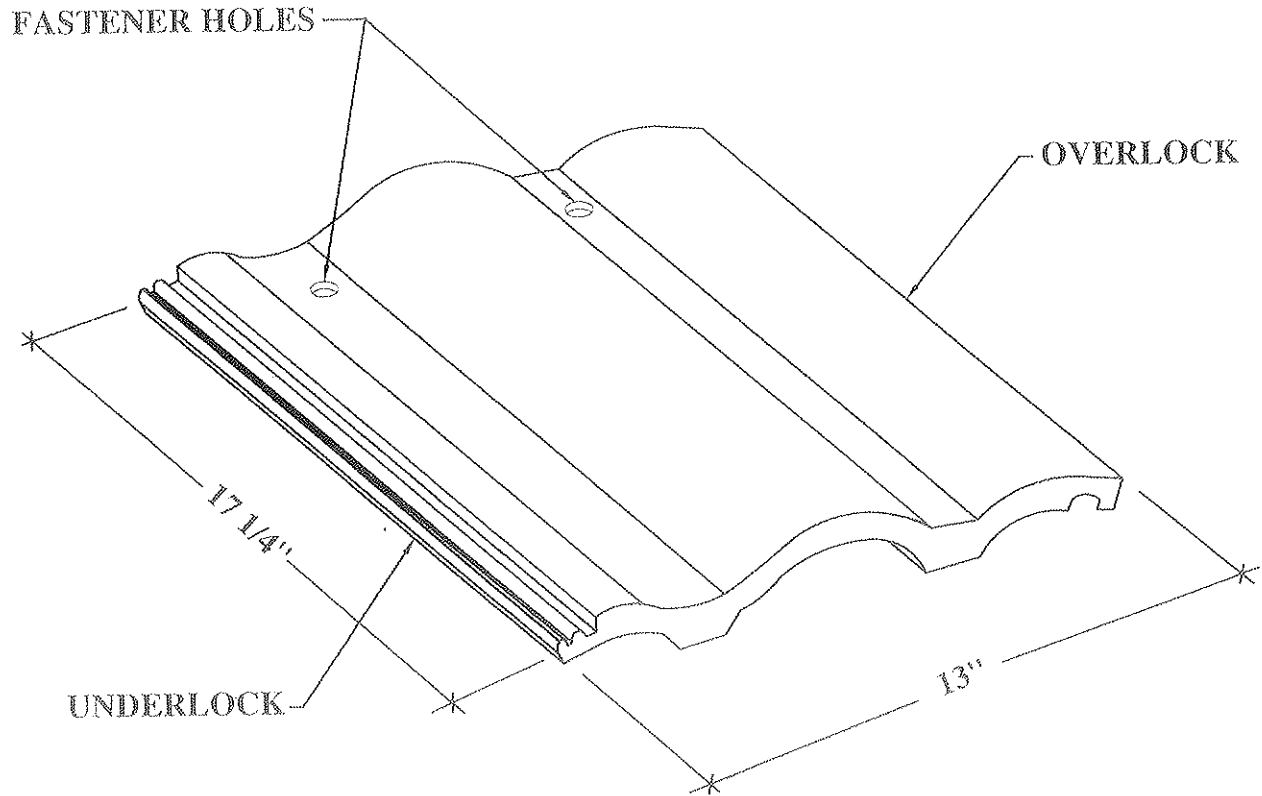
- 6.1.1 This Notice of Acceptance.
- 6.1.2 Any other documents required by the Building Official or applicable building code in order to properly evaluate the installation of this system.



NOA No.: 07-0914.06
Expiration Date: 12/16/12
Approval Date: 12/06/07
Page 6 of 7

PROFILE DRAWINGS

HANSON HACIENDA CONCRETE ROOF TILE



END OF THIS ACCEPTANCE



NOA No.: 07-0914.06
Expiration Date: 12/16/12
Approval Date: 12/06/07
Page 7 of 7